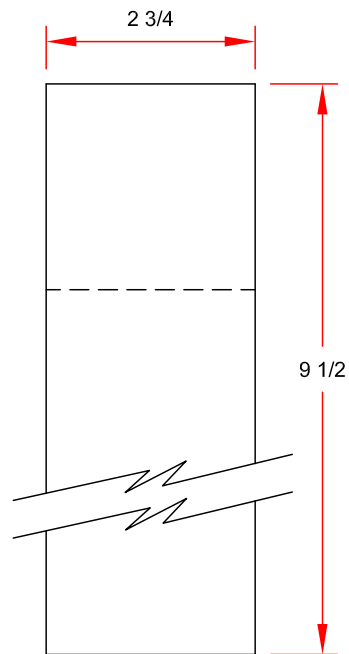


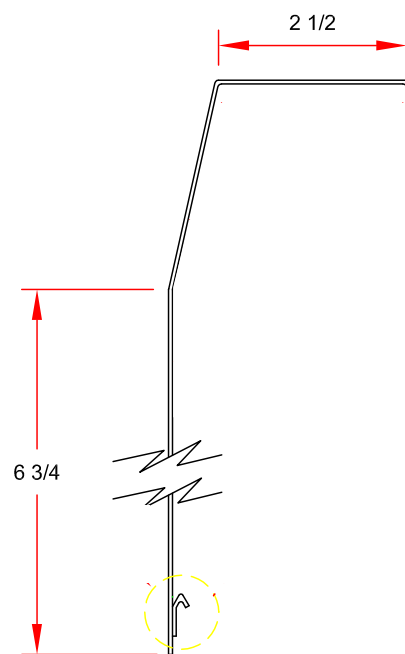
Premium Tall Zero Clearence Endcap

PART NUMBER: ZC003

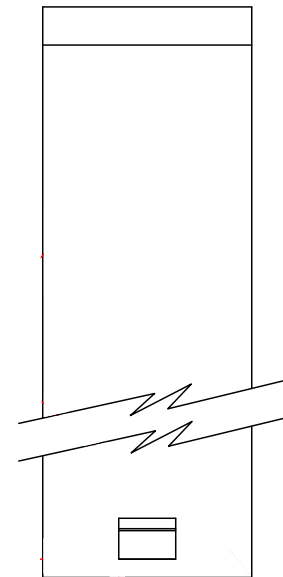
Material: 18 Gauge cold rolled sheet steel



FRONT



SIDE Scale 1:2



BACK  
Scale 1:2